



# Switch Unit

## IMPORTANT NOTICE

- Contact the place of purchase or a distributor for information on installation, adjustment, and replacement of the products which are not found in the user's manual. A dealer's manual for professional and experienced bicycle mechanics is available on our website (<https://si.shimano.com>).

**For safety, be sure to read this "user's manual" thoroughly before use, follow it for correct use, and store it so that it can be referenced at any time.**

The following instructions must be observed at all times in order to prevent personal injury and physical damage to equipment and surroundings. The instructions are classified according to the degree of danger or damage which may occur if the product is used incorrectly.

<b>⚠ DANGER</b>	Failure to follow the instructions will result in death or serious injury.
<b>⚠ WARNING</b>	Failure to follow the instructions could result in death or serious injury.
<b>⚠ CAUTION</b>	Failure to follow the instructions could cause personal injury or physical damage to equipment and surroundings.

## Important Safety Information

### ⚠ WARNING

- Do not disassemble or modify the product. This may cause the product to not operate correctly, and you may suddenly fall and be seriously injured.

## Notice

- Do not keep connecting and disconnecting the small waterproof connector. It may impair the function.
- The components are designed to be fully waterproofed to withstand wet weather riding conditions; however, do not deliberately place them into water.
- Do not clean the bicycle with a high-pressure washer. If water gets into any of the components, operating problems or rusting may result.
- Handle the components carefully, and avoid subjecting them to strong shock.
- Do not allow water to get into the E-TUBE ports.
- Do not use thinners or similar substances to clean the products. Such substances may damage the surfaces.
- Contact the place of purchase for updates to the component software. The most up-to-date information is available on the SHIMANO website.
- Products are not guaranteed against natural wear and deterioration from normal use and aging.
- For maximum performance we highly recommend SHIMANO lubricants and maintenance products.

This device complies with part 15 of the FCC Rules. Operation is subject to the following two conditions:

(1) This device may not cause harmful interference, and (2) this device must accept any interference received, including interference that may cause undesired operation.

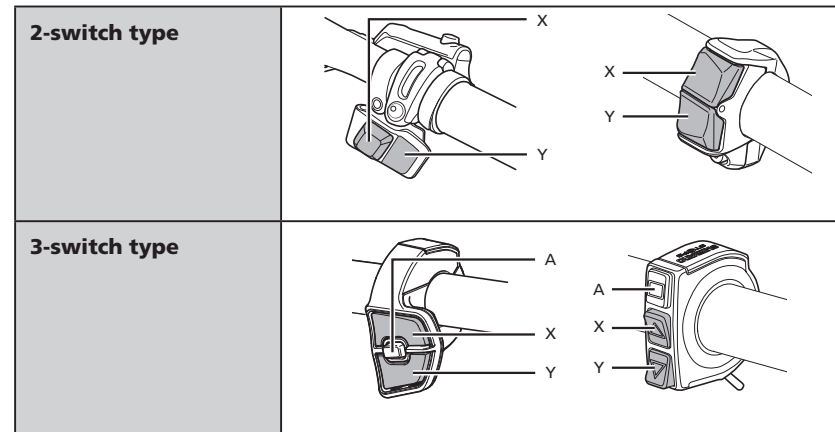
## Regular inspections before riding the bicycle

Before riding the bicycle, check the following items. If any problems are found with the following items, contact the place of purchase or a distributor.

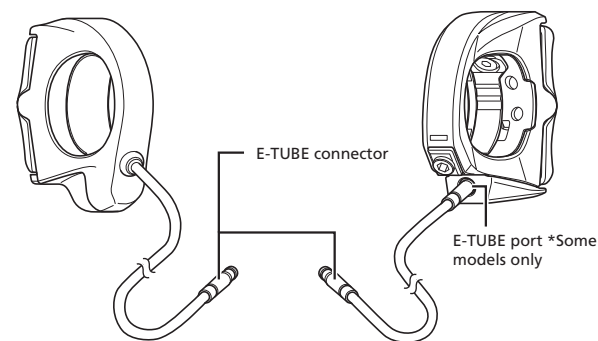
- Are operations carried out smoothly?
- Are the switch units attached to the handlebars snugly?
- Do any abnormal noises occur during operation?

## Names of parts

### ■ Front view



### ■ Rear view



## Switch functions

Switch	Switch unit function assignment	Operation
X	Gear shifting	Shifts up each time pressed.
	Assist	Increases assistance each time pressed.
Y	Gear shifting	Shifts down each time pressed.
	Assist	Decreases assistance each time pressed.
A	Gear shifting	Switches between auto and manual gear shifting.
	Assist	Switches the cycle computer display.

- Default values are listed above. The functions assigned to each switch can be changed.
- Actual behavior may differ depending on the connected components and software version.
- Depending on the model used, settings may need to be changed before use.
- When used as a shifting switch, it can be set to multi-shifting mode, which shifts through multiple gears when held down.
- For details on changing settings of the switch unit, contact the place of purchase.

**SHIMANO**

SHIMANO NORTH AMERICA BICYCLE, INC.  
One Holland, Irvine, California 92618, U.S.A. Phone: +1-949-951-5003

SHIMANO EUROPE B.V.  
High Tech Campus 92, 5656 AG Eindhoven, The Netherlands Phone: +31-402-612222

MADISON (A DIVISION OF H.YOUNG (OPERATIONS) LTD)  
Roebuck Way, Knowlhill, Milton Keynes, Buckinghamshire, MK5 8HL, United Kingdom

SHIMANO INC.  
3-77 Oimatsu-cho, Sakai-ku, Sakai City, Osaka 590-8577, Japan